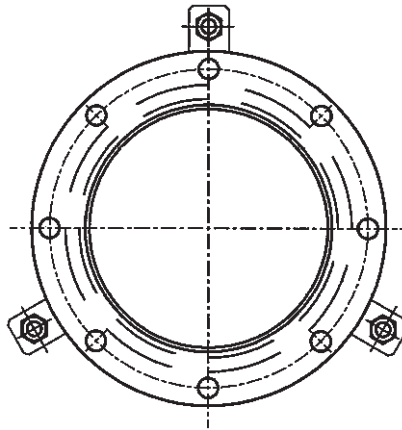
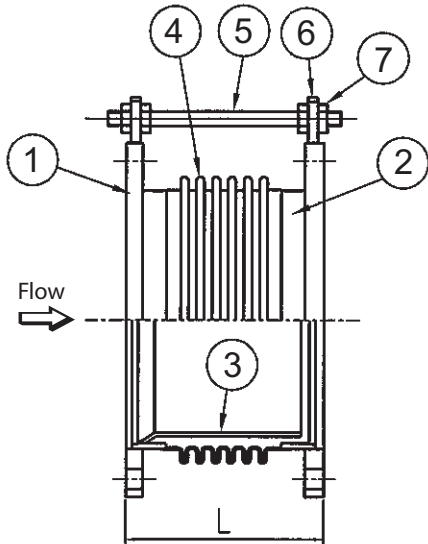
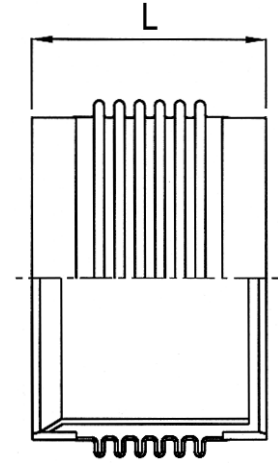


SJT1100

AXIAL FREE TYPE EXPANSION JOINT



Flange End



Bevel End

Item	Qty	Name	Standard Material
1	2	Flange	SS400
2	2	Pipe	SS400
3	1	Internal Sleeve	SUS304
4	1	Bellow	SUS316L
5	3	Shipping Rod	SS400
6	3	Holder	SS400
7	6	Nut	SS400

Max. Working Pressure	1.02 MPA (10 Kgf/cm ²)
Max. Working Temperature	250°C
Applicable Fluid	Water, Hot Water, Oil, Steam, Gas, and Exhaust Air

- Materials of pipe and flange are changeable to SUS304, SUS316, and SUS316L. Please consult us.
- Shipping rods must be removed after installation.

Nominal Diameter A (B)	Length (L) (mm)		Axial Movement $\pm x$ (mm)	Effective Cross Section Area (cm ²)	Spring Constant (N/mm)	Height of Convolution (mm)	Pitch (mm)	Thickness of Ply (mm)	Mass (kg)	
	Flange End	Pipe End							Pipe End	Flange End
80 (3)	200	190	30	64.3	127.5	12.0	10.5	0.5	1.8	9.8
100 (4)	220	210	30	112.2	154.2	11.9	10.5	0.5	2.7	13.7
125 (5)	240	225	30	175.5	199.8	11.4	10.5	0.5	3.7	15.7
150 (6)	250	230	30	244.7	241.3	14.5	13.0	0.6	5.3	21.3
200 (8)	250	230	30	419.1	286.6	15.0	13.0	0.6	8.1	32.1
250 (10)	250	230	30	615.7	313.8	17.8	16.0	0.5	11.7	43.7
300 (12)	250	230	30	894.6	374.4	17.8	16.0	0.5	15.6	67.6

TOZEN (THAILAND) CO., LTD.

3388/62 18TH FLOOR, SIRINRAT BLDG.,
RAMA IV RD., BANGKOK 10110 THAILAND
TEL : (66) 0-2367-5721-8
FAX : (66) 0-2367-5729, 0-2367-5066
URL : www.tozen.co.th

TOZEN SANGYO CO., LTD.

8-4, ASAHY YOSHIKAWA
SAITAMA 342-008 JAPAN
TEL : 048-993-1030
FAX : 048-993-1038